

Doc WM82

Waste Master Pre-Install Quick Check

✓ **5th Wheels**



✓ **Travel Trailers**



✓ **Toy Haulers**



**CUSTOM
INSTALLS
NOW
AVAILABLE**

in HOLLISTER, CA



**LET US DESIGN THE
PERFECT RV WASTE
SYSTEM FOR YOU**

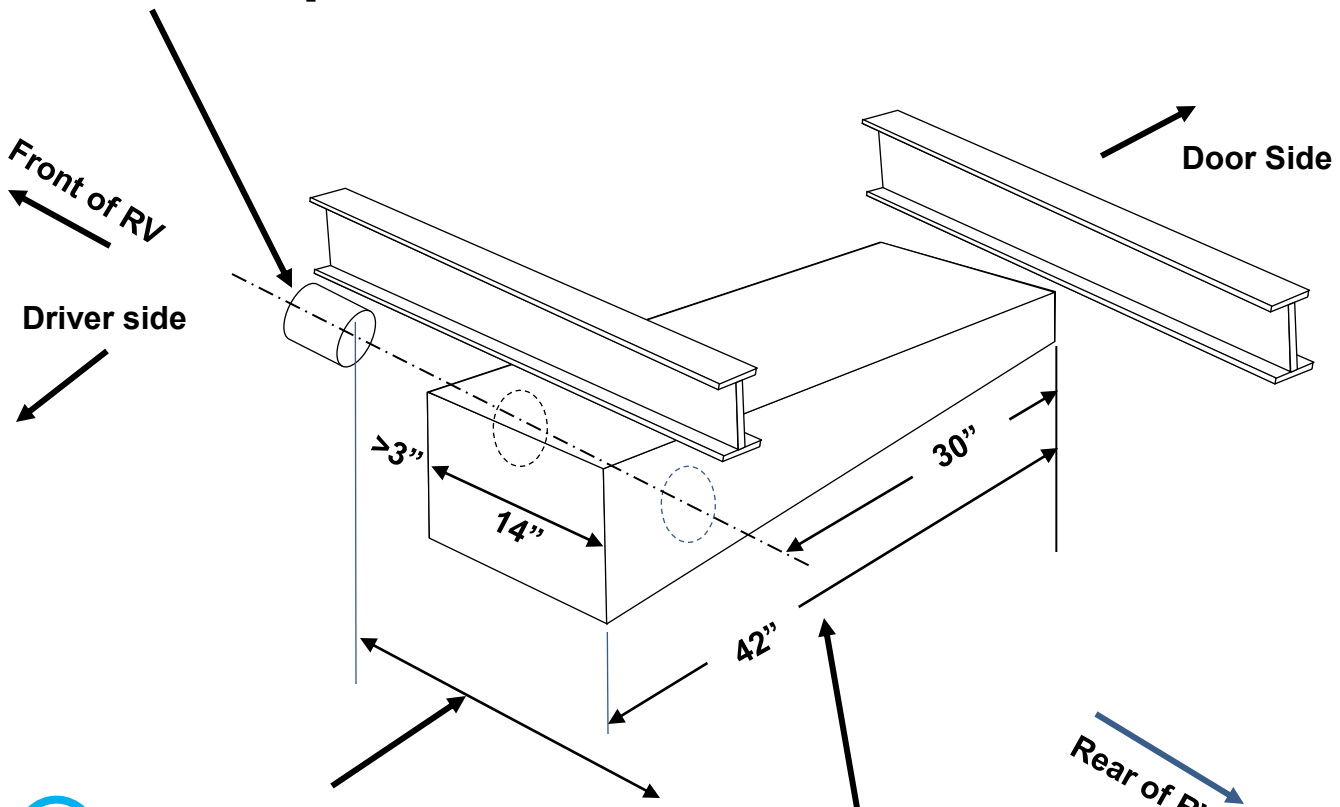
**We'll make dumping your
Tanks as Easy as Putting
Gas in your Car !**

Tel: 877 787 8833



Waste Master Permanently Connected Sewer System at a glance – 3 Simple observations to determine basic install readiness

Q1 Can the sewer termination outlet be modified to align with the enclosure hose exit hole? [termination may be on opposite side than shown, hose exit hole may be on either side of the enclosure]



Q2 Is there more than 19" of clear unobstructed space to accommodate the enclosure width?

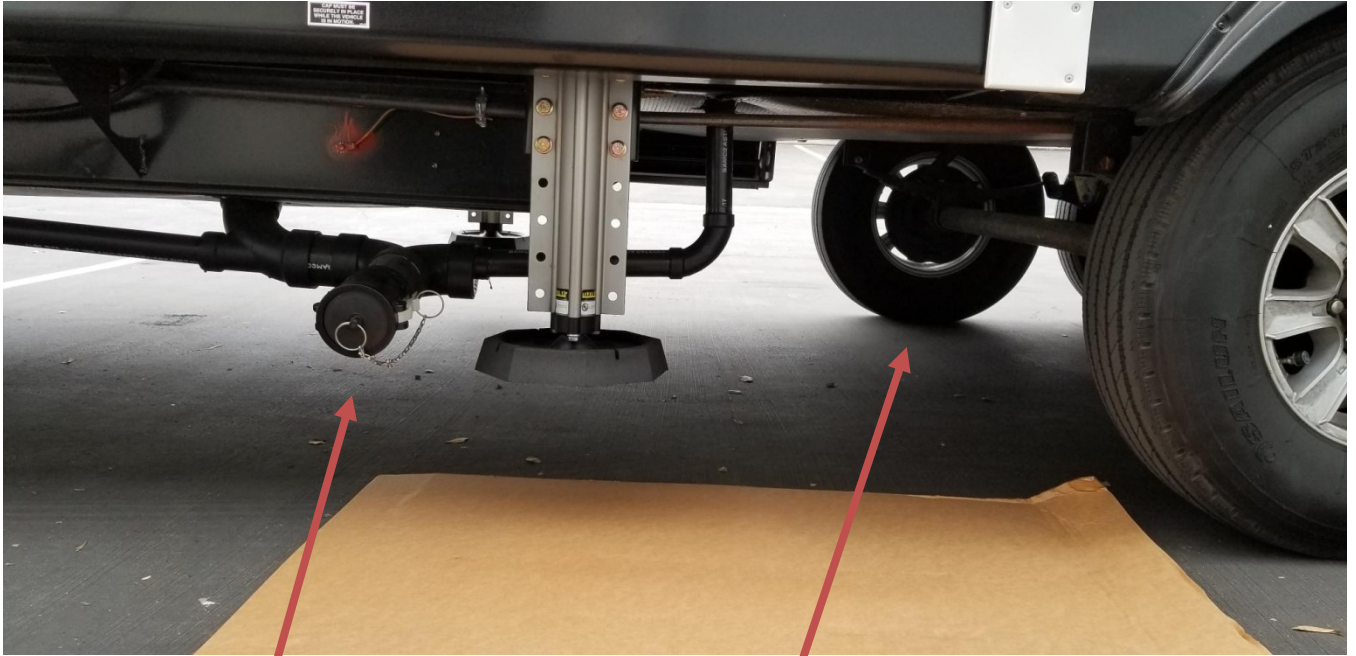
Q3 Is there clear unobstructed space > 42" to accommodate the enclosure length?

IF the answers to these 3 questions are YES then then your RV is ready for Waste Master !



***Here's an example that answers YES to
all 3 Questions***

BEFORE WM Install



A1 Yes, the sewer termination can be modified and aligned to the enclosure hose exit hole

A2 Yes, there is >19" of clear, unobstructed space from the sewer termination to accommodate the enclosure width

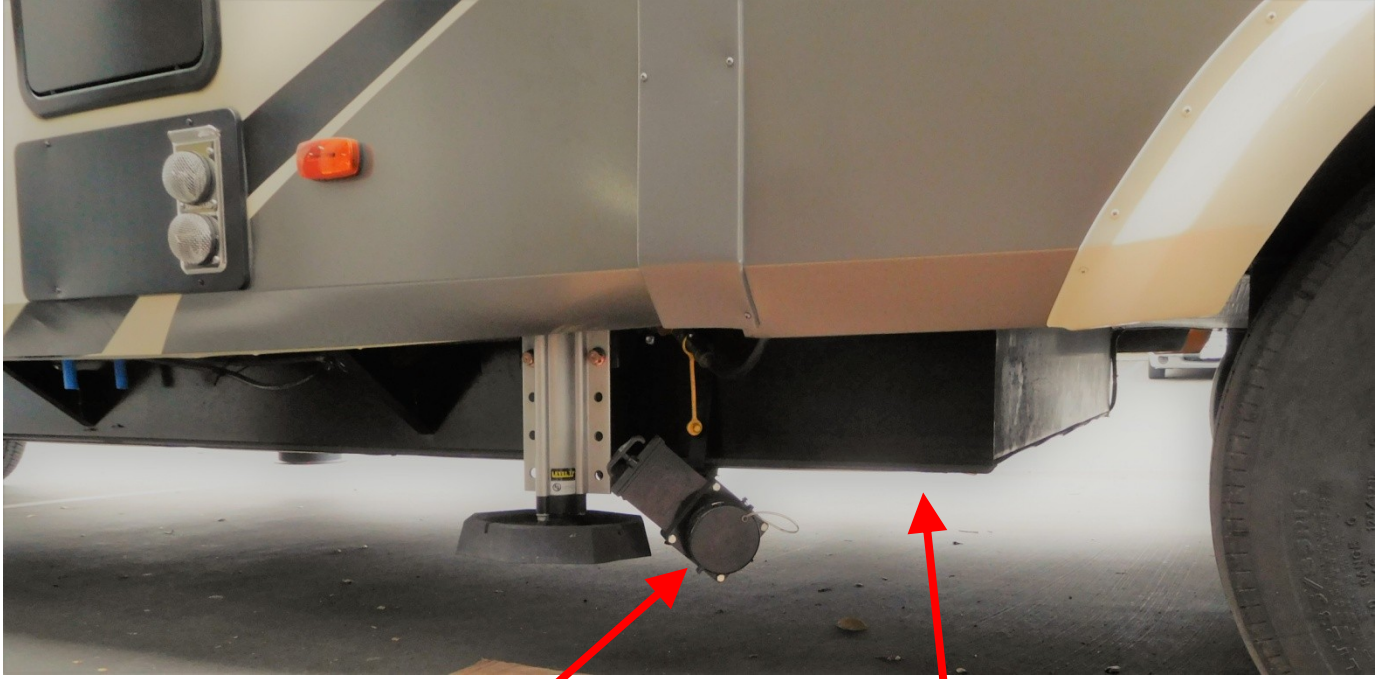
A3 Yes, there is >42" of clear, unobstructed space to accommodate the enclosure length



AFTER WM Install



Here's an example of a problem candidate



1. Exit plumbing has unfavorable orientation

2. There is not enough clear, unobstructed space to accommodate the enclosure width

This requires a service specialist to determine if modifications are feasible to install Waste Master.

Call or preferably email us pictures of your RV configuration for advice

